

Pt 100

Temperature sensors



Pt 100-G-160



Pt 100-G-120-PG

Description

The Pt 100 temperature sensors are temperature probes which is based on the resistance change of platin at temperature influence.



Technical data

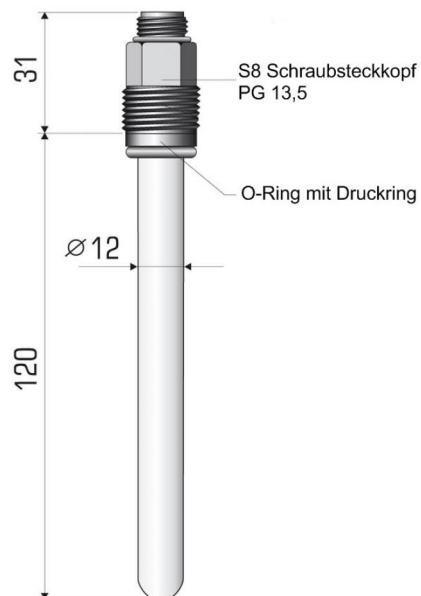
Measuring parameter

Temperature -30.0.. +140.0 °C

Mechanical construction

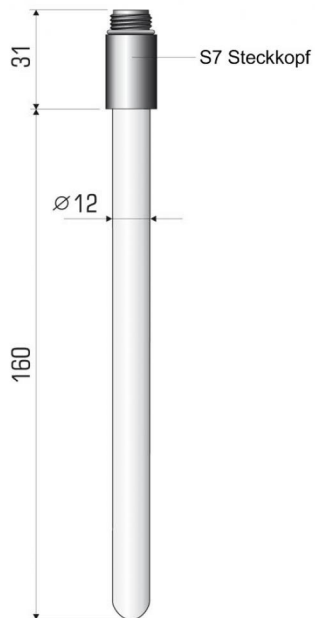
Shaft material	Glass
Electrode material	Pt 100
Mechanical connection	S7 plug S8 screw plug (PG 13,5)
Electrical connection	2 pole screw connection

Mechanical drawing



Pt 100

Temperature sensors



Storage version

Article number	Name	Description
24137010K	Pt 100-G-120-PG	Temperature probe: Pt 100, S8 screw plug (PG 13,5), 120 mm
24137000K	Pt 100-G-160	Temperature probe: Pt 100, S7 plug, 160 mm

